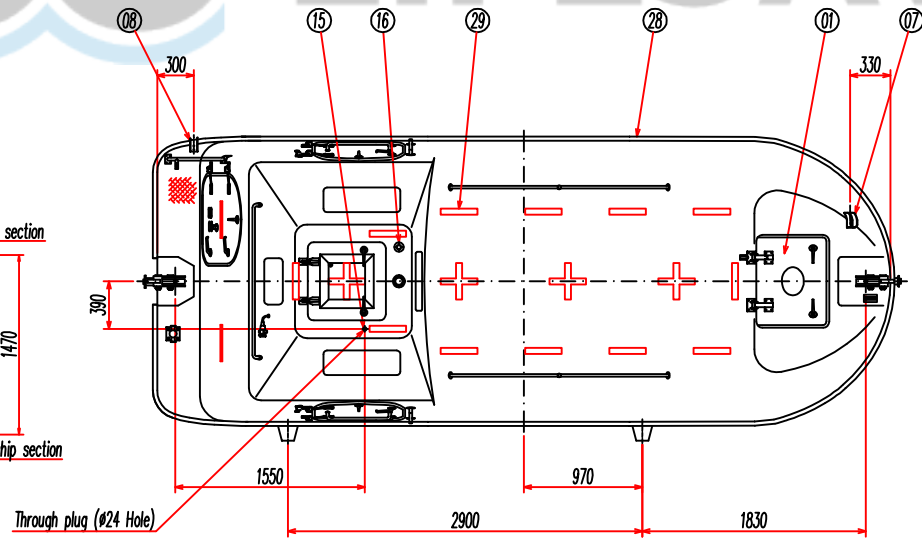
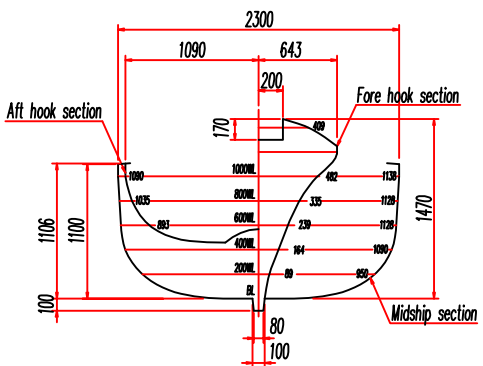


HOOK'S SECTION



No.	Code	Name	Material	Quantity	Height	Remarks
26		Bilge hole	Stainless steel	1		
25		Exhaust hole	Stainless steel	1		
24		Canopy light	Plastic	1		
23		Hatch lock fitting	Stainless steel	1		
22		Ventilator	F.R.P.	1		
21		Hand rail	Stainless steel	2		
20		Hand rail	Stainless steel	1		
19		Hand rail	Stainless steel	2		
18		Hand rail	Stainless steel	1		
17		Towing bitt	Stainless steel	1		
16		Radar reflector stand	Stainless steel	1		
15		Through plug	Brass	1		
14		Oar clutch	Stainless steel	2		
13		Painter hook	Stainless steel	1		
12		Release hook	Gal. steel	2		
11		Skate	Stainless steel	2		
10		Aft. lashing drum	Gal. steel	1		
09		Fore lashing drum	Gal. steel	1		
08		Aft. lashing guide	Gal. steel	1		
07		Fore lashing guide	Gal. steel	1		
06		Life line	Synthetic rope	1set		
05		Propeller guard	F.R.P.	1		
04		Top hatch	F.R.P.	1		600X600
03		Side hatch	F.R.P.	2		900X600
02		Aft. hatch	F.R.P.	1		900X600
01		Fore hatch	F.R.P.	1		600X500

This drawing shows the port side boat. The starboard side boat is to be symmetry.

(Quantity / One boat)			
29	Reflector tape	Plastic	1set
28	Fender	Rubber	1set
27	Battery charge socket	Plastic	1

No.	Material	Weight(kg)	Code	Name	Material	Quantity	Height	Remarks
	..	..						
	Checked by		2004/11/10	Projection				GENERAL ARRANGEMENT OF NORMAR LIFE BOAT
	Checked by		2004/11/10	Scale	1:30			JY-QFP-6.0A
	Approved by		2004/11/10	Scale	1:30			Drawing No.: JYX14-01-500