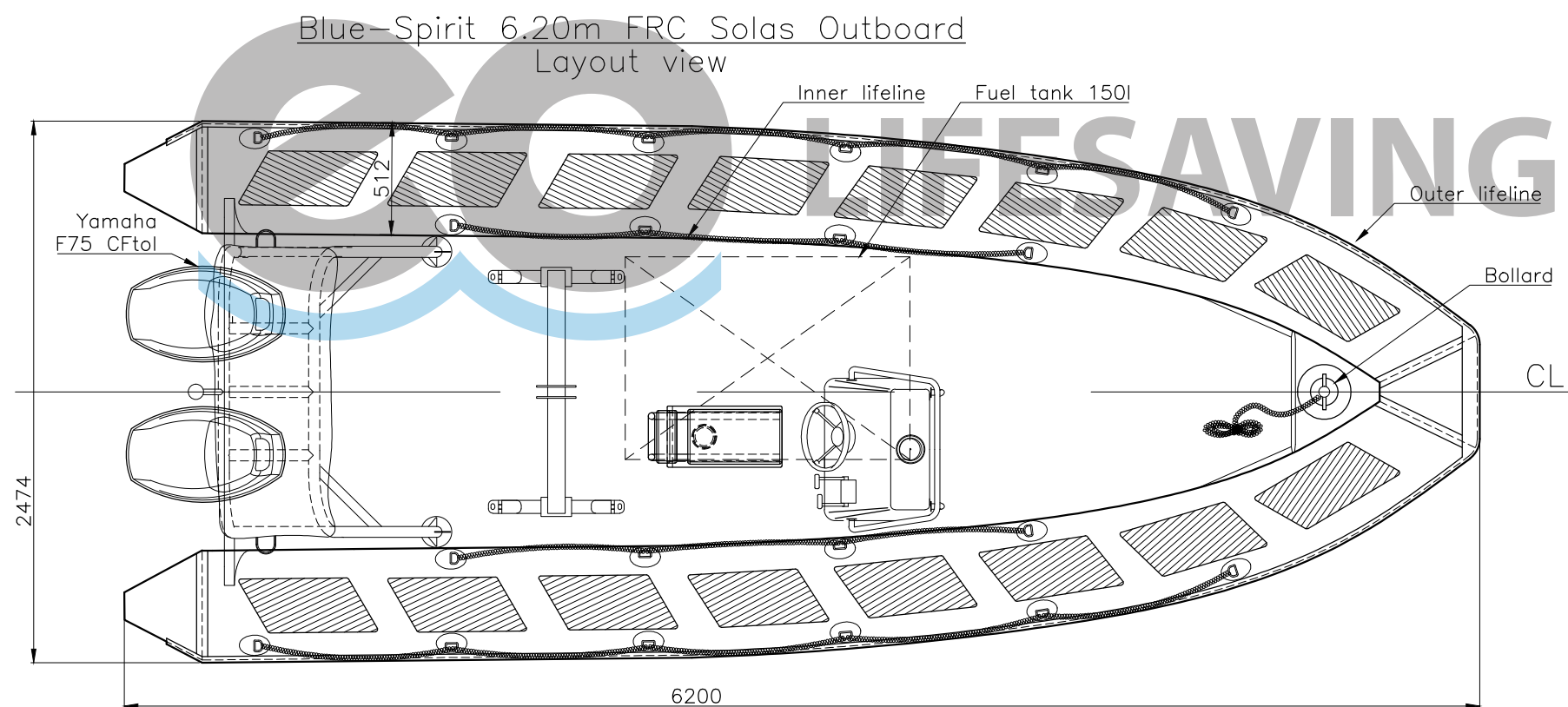


Blue Spirit 6m20 FRC Solas

LOA:	6200 mm
Beam (max):	2474 mm
Weight:	1391 kg with full fuel tank, ex persons
Total weight:	2216 kg (with persons)
Person capacity:	10 persons
Engine:	Yamaha 75 CFtoI
Hull:	GRP
Fuel tank:	150 Liter
Approval:	Solas/MED
Tube:	Hypalon air filled / Hypalon foam filled



This drawing is the property of EURO OFFSHORE B.V. and is not to be reproduced nor used in any matter detrimental to our interests. ©All rights reserved.

EURO OFFSHORE B.V., Ferrandstraat 4, 4251LL, Werkendam, The Netherlands
 T +31(0)183 691 010, E info@eurooffshore.nl, I www.blue-spirit.nl

File name:	Blue Spirit 6m20 FRC Solas.dwg	Project name:	Blue Spirit 6.20m FRC Solas outboard
Paper size:	A3	Title:	Profile view & layout
Scale:	1:30	Drawn:	B. van der Wijk
Sheet:	1/2	Date:	22-07-2013