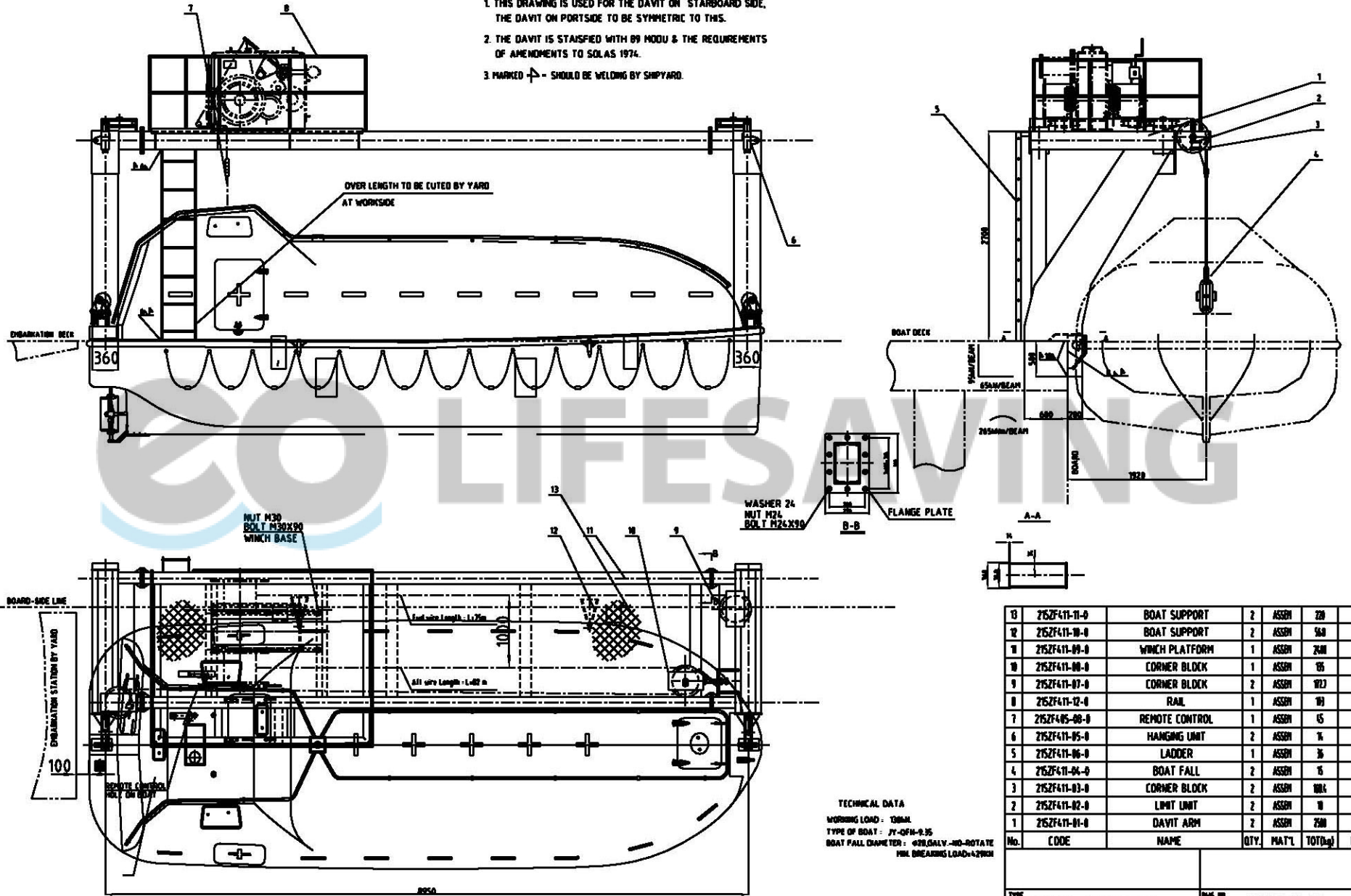


TECHNICAL REQUIREMENTS

1. THIS DRAWING IS USED FOR THE DAVIT ON STARBOARD SIDE, THE DAVIT ON PORTSIDE TO BE SYMMETRIC TO THIS.
2. THE DAVIT IS STAIFED WITH BY MODU & THE REQUIREMENTS OF AMENDMENTS TO SOLAS 1974.
3. MARKED ⤴ - SHOULD BE WELDING BY SHIPYARD.



TECHNICAL DATA
 WORKING LOAD : 1200kg
 TYPE OF BOAT : JT-OFF-0.35
 BOAT FALL DIAMETER : Ø28, ONLY -40-R07A TE
 HLL BREAKING LOAD=4.25MN

| No. | CODE | NAME | QTY. | MATL | TOTLkg | NOTE |
|-----|---------------|----------------|------|-------|--------|------|
| 13 | 215ZF411-11-0 | BOAT SUPPORT | 2 | ASSPH | 220 | |
| 12 | 215ZF411-10-0 | BOAT SUPPORT | 2 | ASSPH | 56.0 | |
| 11 | 215ZF411-09-0 | WINCH PLATFORM | 1 | ASSPH | 26.00 | |
| 10 | 215ZF411-08-0 | CORNER BLOCK | 1 | ASSPH | 15 | |
| 9 | 215ZF411-07-0 | CORNER BLOCK | 2 | ASSPH | 112.7 | |
| 8 | 215ZF411-12-0 | RAIL | 1 | ASSPH | 19 | |
| 7 | 215ZF405-00-0 | REMOTE CONTROL | 1 | ASSPH | 45 | |
| 6 | 215ZF411-05-0 | HANGING LIMIT | 2 | ASSPH | 16 | |
| 5 | 215ZF411-06-0 | LADDER | 1 | ASSPH | 36 | |
| 4 | 215ZF411-04-0 | BOAT FALL | 2 | ASSPH | 15 | |
| 3 | 215ZF411-03-0 | CORNER BLOCK | 2 | ASSPH | 101.6 | |
| 2 | 215ZF411-02-0 | LIMIT UNIT | 2 | ASSPH | 18 | |
| 1 | 215ZF411-01-0 | DAVIT ARM | 2 | ASSPH | 750 | |

| | | | |
|-------------|----------------------|-----------|-----------------|
| TYPE | PL138 PLATFORM DAVIT | DAWG. NO. | 215ZF411-00 |
| DATE | | TITLE | GENERAL DRAWING |
| DESIGN BY | | | |
| CHECKED BY | | | |
| APPROVED BY | | | |
| SCALE | 1:50 | | |
| REV. NO. | 0 | | |
| | | PARTIAL | ASSEMBLY |
| | | | WEIGHT |
| | | | 500 kg |