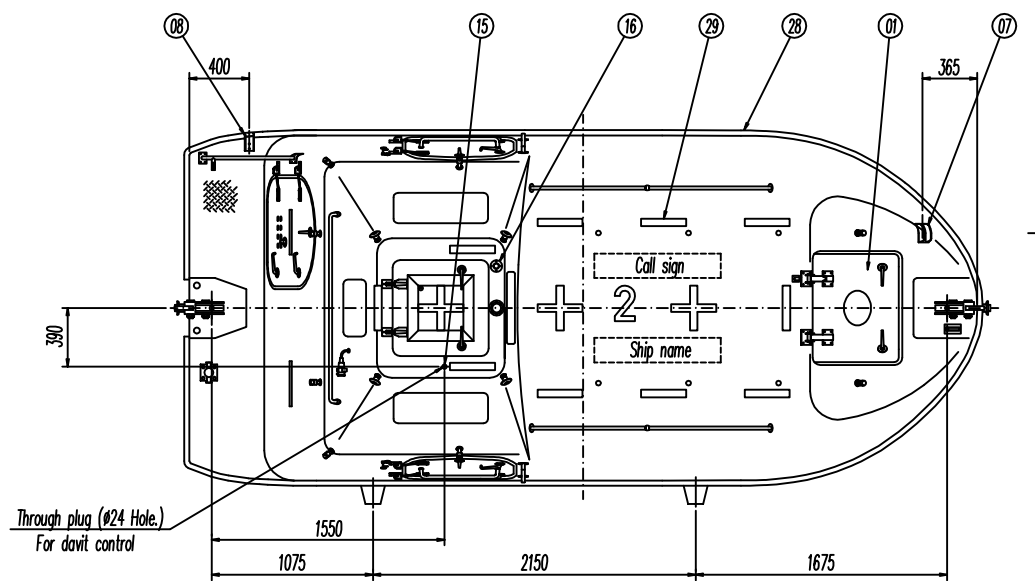
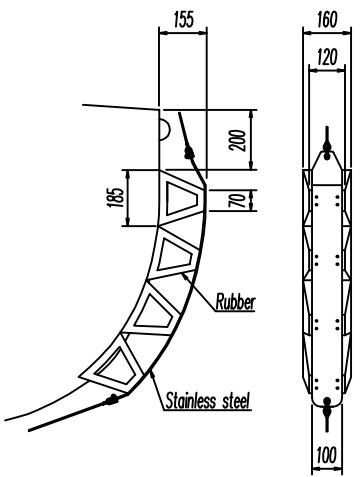
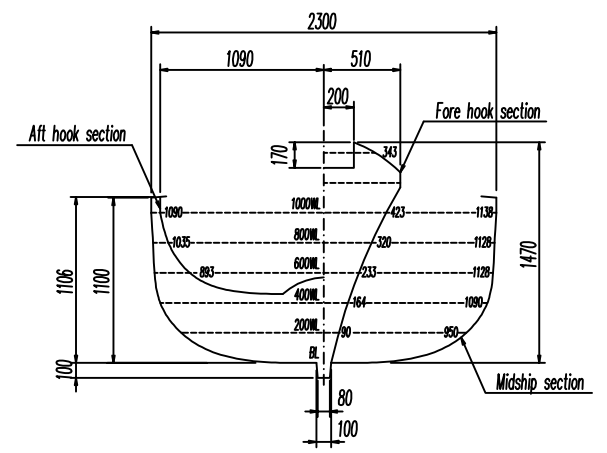


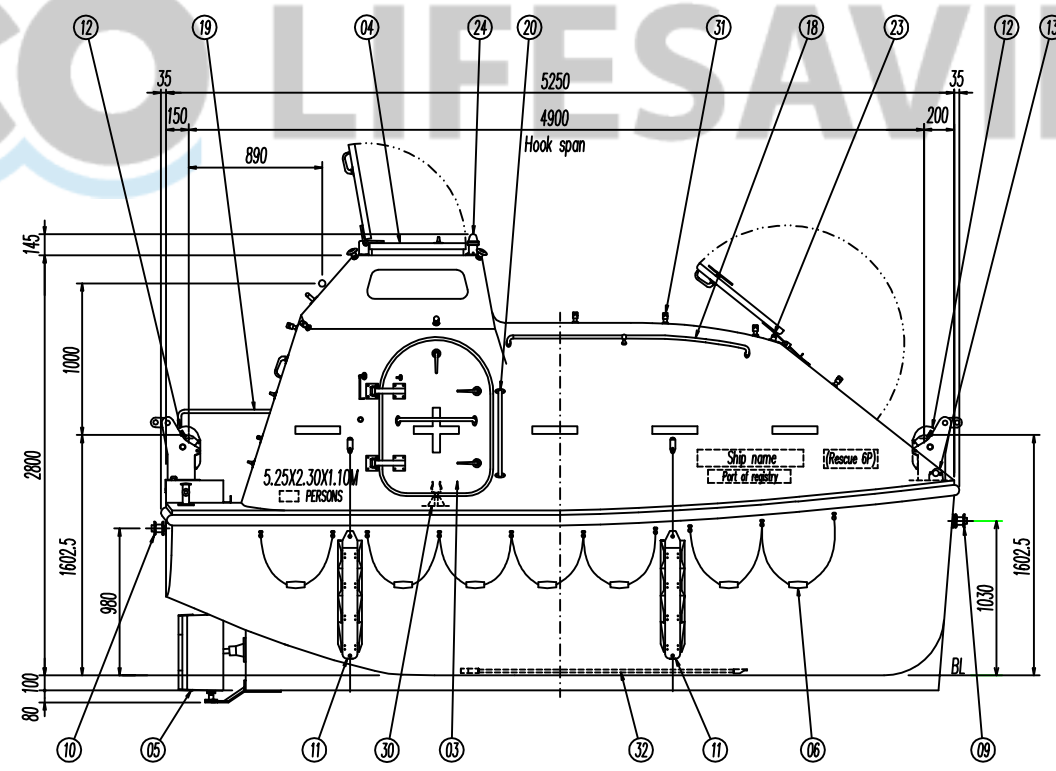
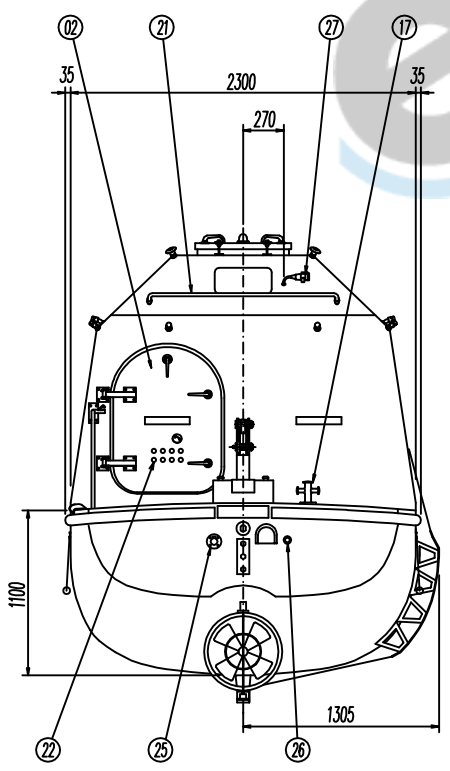
DETAIL OF SKATE



HOOK'S SECTION



(Quantity / One boat)



No.	Name	Material	Quantity	Remarks
32	Keel cooler	Copper	1	
31	Spray nozzle	Brass	18	
30	Oar clutch	Stainless steel	2	
29	Reflector tape	Plastic	30	
28	Fender	Rubber	1	
27	Battery charge socket	Plastic	1	
26	Bilge hole	Stainless steel	1	
25	Exhaust hole	Stainless steel	1	
24	Indicating light	Plastic	1	
23	Hatch lock fitting	Stainless steel	1	
22	Ventilator	F.R.P.	1	
21	Hand rail	Stainless steel	1	
20	Hand rail	Stainless steel	2	
19	Hand rail	Stainless steel	1	
18	Hand rail	Stainless steel	2	
17	Towing bitt	Stainless steel	1	
16	Radar reflector stand	Stainless steel	1	
15	Through plug	Stainless steel	1	
14				
13	Painter hook	Stainless steel	1	
12	Release hook	Galv. steel	2	
11	Skate	Stainless steel	2	
10	Aft lashing drum	Galv. steel	1	
09	Fore lashing drum	Galv. steel	1	
08	Aft lashing guide	Stainless steel	1	
07	Fore lashing guide	Stainless steel	1	
06	Life line	Stainless steel	12	
05	Propeller guard	F.R.P.	1	
04	Top hatch	F.R.P.	1	600x600
03	Side hatch	F.R.P.	2	900x600
02	Aft hatch	F.R.P.	1	900x600
01	Fore hatch	F.R.P.	1	600x600

This drawing shows the port side boat.
The starboard side boat is to be symmetry.

GENERAL ARRANGEMENT OF FIRE PROTECTED LIFE BOAT
JY-QFN-5.25

Scale: 1:25 Date: Feb. 3 2005 Drawing by: Checked by: Title: JYX12-01-051