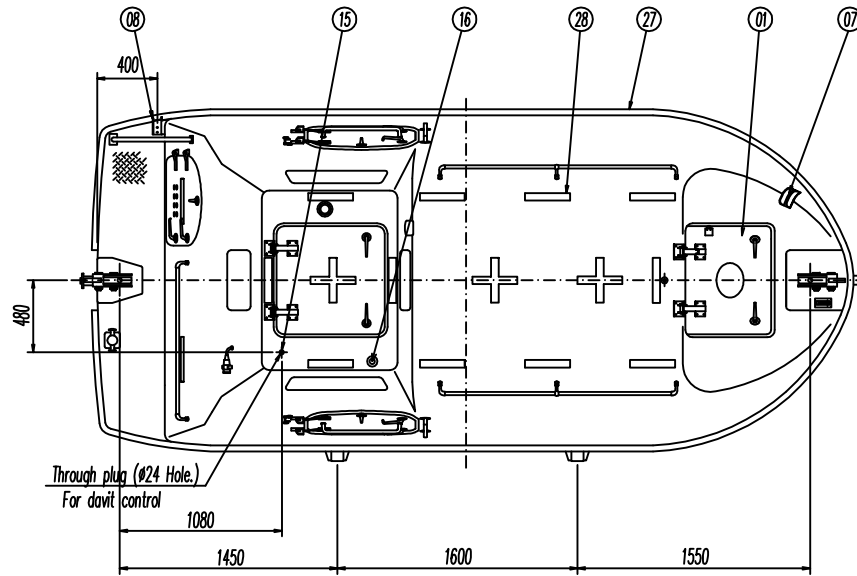
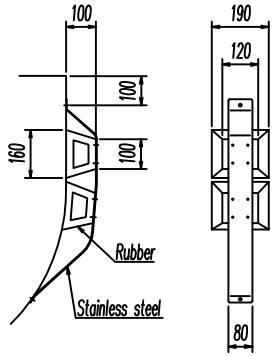
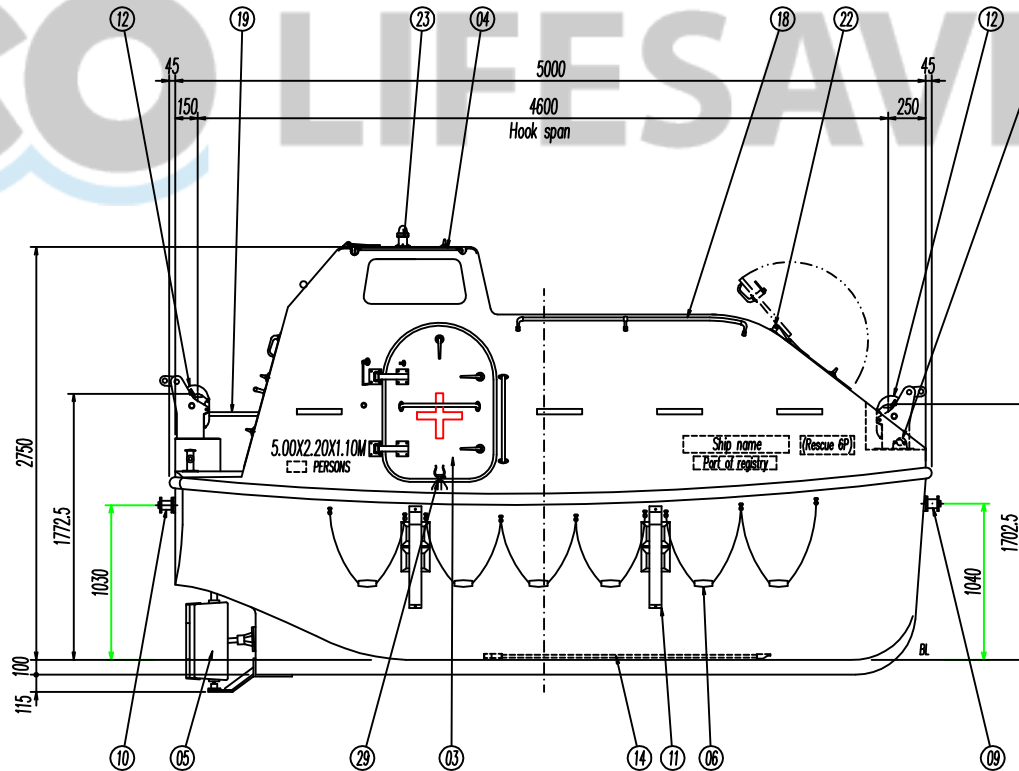
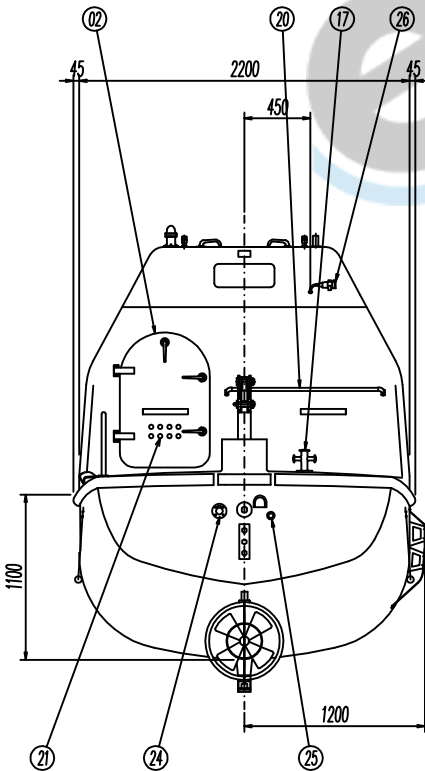
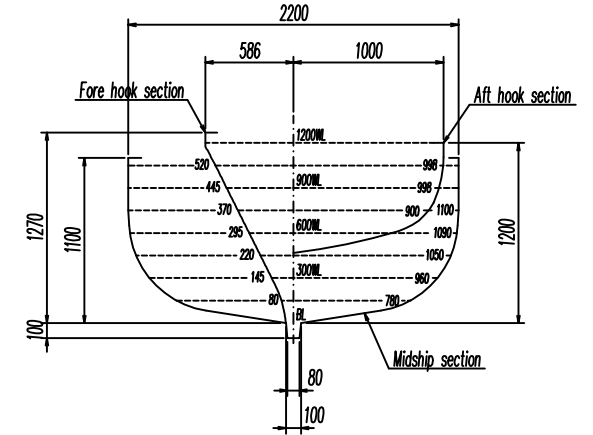


DETAIL OF SKATE



HOOK'S SECTION



(Quantity / One boat)

29	Oar clutch	Stainless steel	2		
28	Reflector tape	Plastic	24		
27	Fender	Rubber	1		
26	Battery charge socket	Plastic	1		
25	Bilge hole	Stainless steel	1		
24	Exhaust hole	Stainless steel	1		
23	Indicating light	Plastic	1		
22	Hatch lock fitting	Stainless steel	1		
21	Ventilator	F.R.P.	1		
20	Hand rail	Stainless steel	1		
19	Hand rail	Stainless steel	1		
18	Hand rail	Stainless steel	2		
17	Towing bitt	Stainless steel	1		
16	Radar reflector stand	Stainless steel	1		
15	Through plug	Stainless steel	1		
14	Keel cooler	Copper	1		
13	Painter hook	Stainless steel	1		
12	Release hook	Galv. steel	2		
11	Skate	Stainless steel	2		
10	Aft lashing drum	Galv. steel	1		
09	Fore lashing drum	Galv. steel	1		
08	Aft lashing guide	Stainless steel	1		
07	Fore lashing guide	Stainless steel	1		
06	Life line	Synthetic rope	12		
05	Propeller guard	F.R.P.	1		
04	Top hatch	F.R.P.	1	600x600	
03	Side hatch	F.R.P.	1	900x600	
02	Aft hatch	F.R.P.	1	900x600	
01	Fore hatch	F.R.P.	1	600x500	

No.	Name	Material	Quantity	Mass	Remarks
GENERAL ARRANGEMENT OF NORMAL LIFE BOAT JY-QFP-5.00					
<div style="display: flex; justify-content: space-between;"> <span>Scale: 1:25</span> <span>Date: Nov.18 2004</span> <span>Drawing by:</span> <span>Checked by:</span> <span>Proj. No. JYX11-01-550</span> </div>					

This drawing shows the port side boat.  
The starboard side boat is to be symmetry.