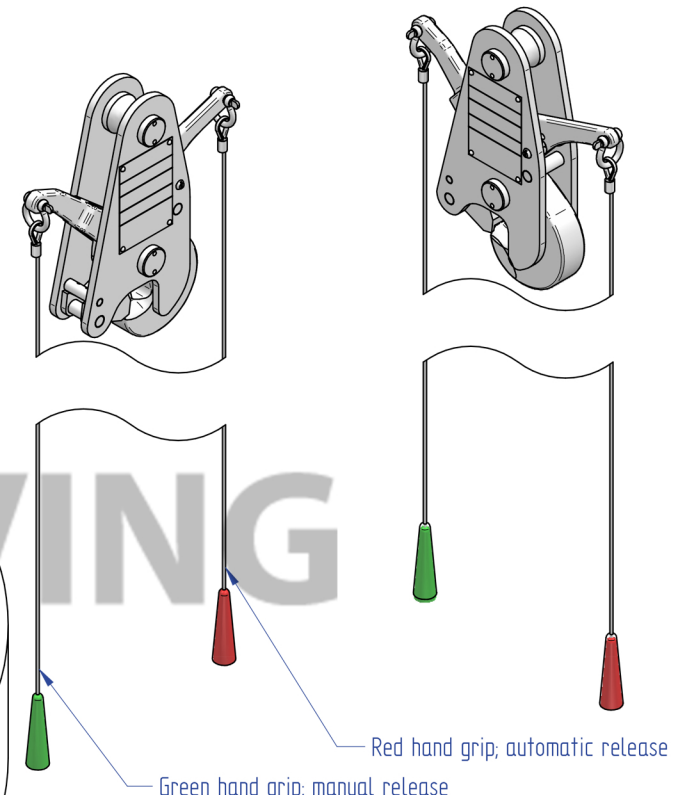
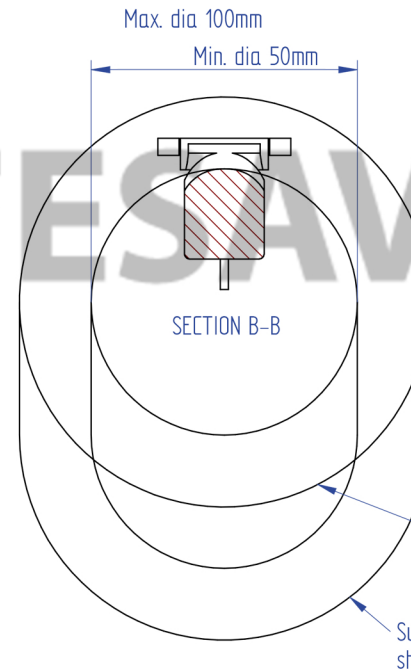
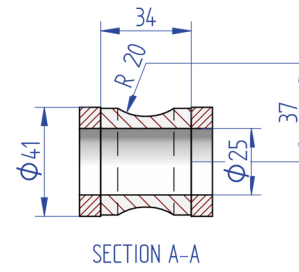
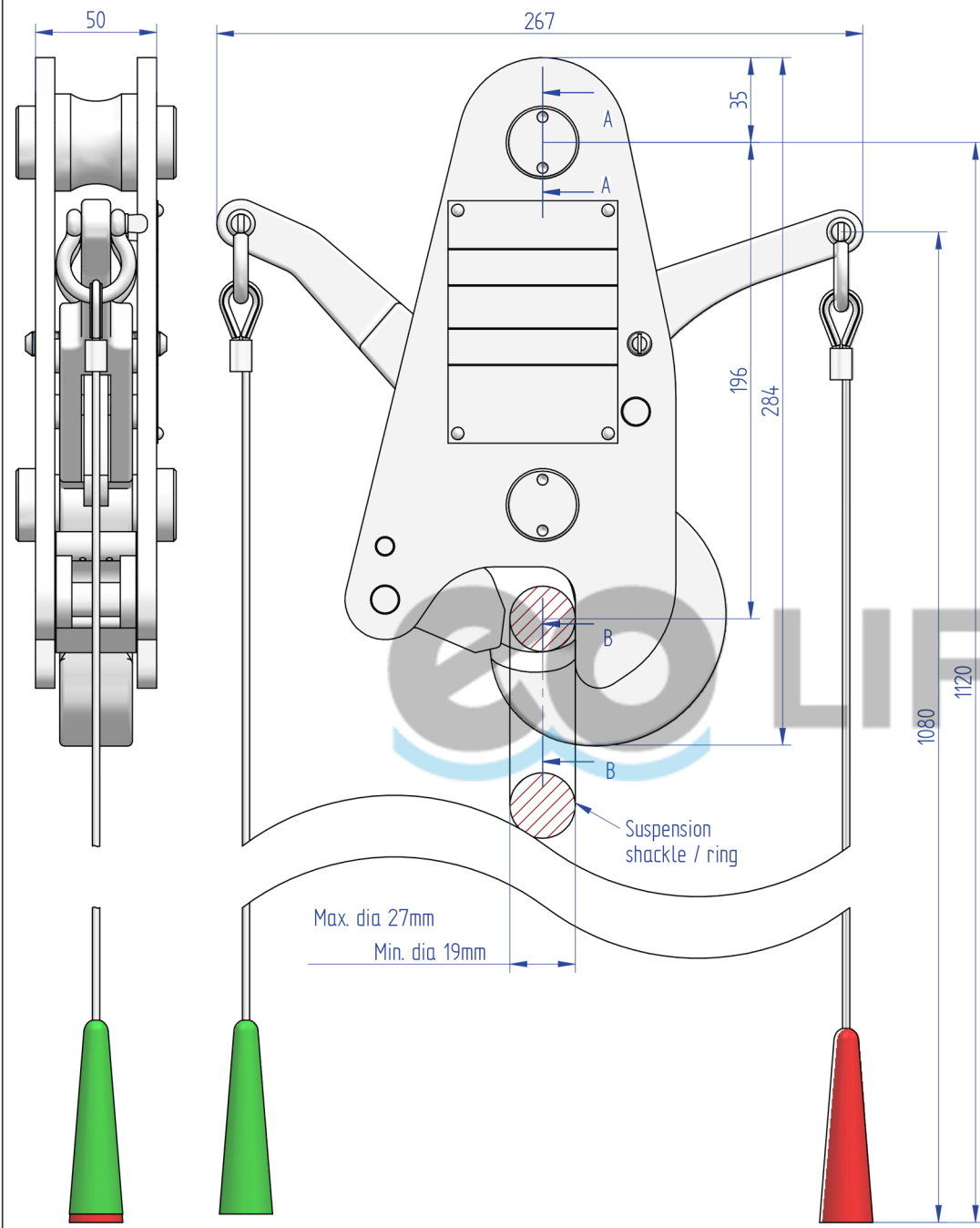


This drawing is for information only and must not be used for construction or fabrication, prior to final design.



Palfinger Ned-Deck reserves the right to change the product design, materials, and specifications without incurring obligations. Responsibility for the use and application of the product rests with the user.

Total mass approx.: 7.3 kg

Rev	Date	Description	Name	TITEL:
E	25.2.11	Update SWL	RvB	<b>Combined automatic offload release hook CAR 35 (SWL 36kN)</b>    <a href="http://www.palfingerneddeck.com">www.palfingerneddeck.com</a>
D	19.1.11	text hand grips	RvB	
C	7.1.10	update	RvB	
B	15.7.09	tripline->hand grip AM	RvB	
A	8.5.08	hand grip->tripline AM	AM	

DRAWN.: RvB	TOLERANCES:
DATE: 25-02-11	NEN-ISO 2768-1
APPROVED: RvB	PROJECTION:
SCALE: 1:2	
DRAWING NUMBER: 3A-101667	SIZE: A3
REVISION: HE-	REVISION: E

File: 3A-101667E